

Model: LXC-15F-40F

Ultrasonic Water Meter

Feature:

- Cable interface options:
(1) M-BUS (2) RS-485 (3) Pulse output (4) LoRaWAN
- Size: DN15 to DN40mm, (1/2" – 1 1/2")
- Accuracy: R250
- Waterproof standard: IP 68
- Frequency: LoRaWAN 865MHz, 902MHz, 868MHz, 915MHz and Others



Main Technical Data:

Item	Parameter
Meter Type	Ultrasonic Water Meter
Nominal Diameter (mm)	DN15~DN40
Q3/Q1	R250
Measured medium	Water, homogeneous liquid, and filled with measured pipes.
Accuracy class	Class 2
Water pressure class	1.6MAP (16 bar)
Pressure loss	<63kPa
Temperature class	T50
Installation position	H/V
The installation sensitivity	U10/D5
Environmental Requirement	Environment Class: E1, M1, B
Key-press	Magnetic induction key
Types of Indicating device	LCD:8-digits, 0~9999.9999m ³
Menu Contents	Instantaneous flow (m ³ /h), cumulative flow (m ³), screen detection, table address, cumulative working time (h), date (year/month/day), caliber, software version
Interface & Communication	M-Bus, RS-485, Pulse Output, LoRaWAN
Data Storage	48 months history data
Battery	3.6VDC lithium battery
Life span	10 years.
IP code	IP68
Storage Temperature	-20℃~+60℃
Cable length	1.0 m

Model: LXC-15F-40F

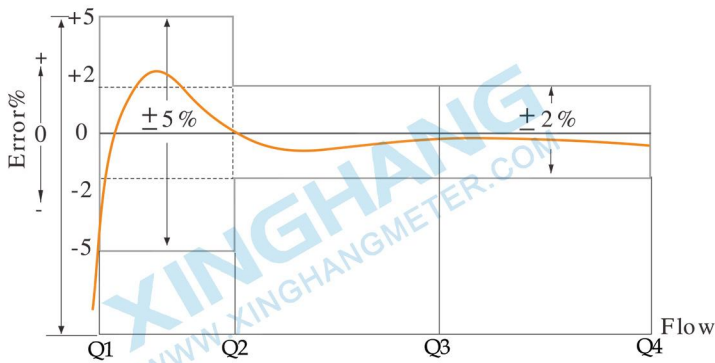
Drawing:

Flow Rate:

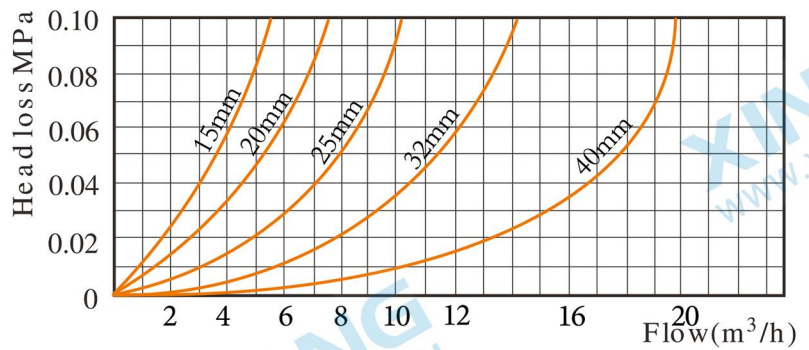
Parameter	Unit	Data Value				
Nominal Diameter		DN15	DN20	DN25	DN32	DN40
Start flow rate		0.002	0.002	0.003	0.005	0.005
Qmin(Q1)	m ³ /h	0.010	0.016	0.0252	0.04	0.064
QTransitional(Q2)		0.016	0.0256	0.040	0.064	0.1024
Qn/permanent(Q3)		2.5	4.0	6.3	10.0	16.0
Qoverload(Q4)		3.125	5	7.875	12.5	20.0
Range		250				
Temperature		T50				
Battery life	Year	10				



Error Curve:

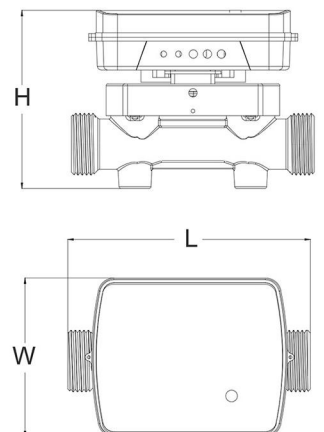


Head Loss Curve:



Dimensions:

Nominal Diameter(mm)	DN15	DN20	DN25	DN32	DN40
Thread	G3/4B	G1B	G1 1/4B	G1 1/2B	G2B
L(mm)	110	130	160	180	200
H(mm)	102	110	120	125	130
W(mm)	95	95	95	95	95



WORKING CONDITION:

Water temperature: ≤50°C for cold water meter

Water pressure: ≤16 Bar



XINGHANG

Ningbo Xinghang Meter Technology Co.,Ltd

<https://www.xinghangmeter.com>

sales@xinghangmeter.com

+86-574-27805927