



XINGHANG

Model: LXC-50H-500H

Ultrasonic Water Meter

Feature:

- Cable interface options:
(1) M-BUS (2) RS-485 (Modbus) (3) Pulse output
(4) LoRaWAN (5) Sigfox
- Size: DN50 to DN500mm, (2" – 20")
- Accuracy: R160
- Frequency: LoRa/ LoRaWAN 865MHz, 902MHz, 868MHz, 915MHz and Others



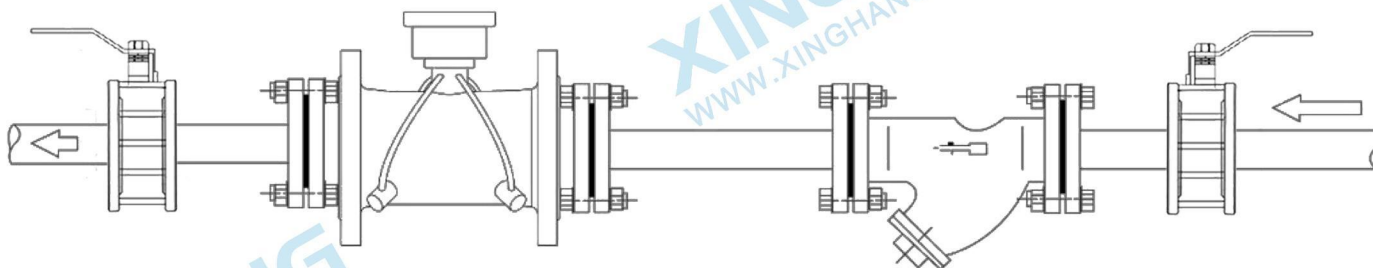
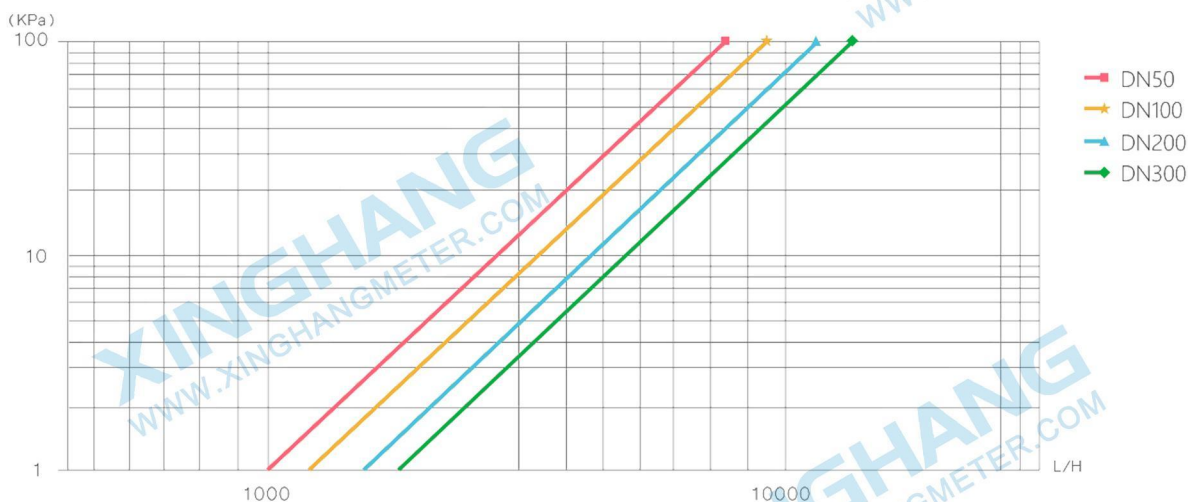
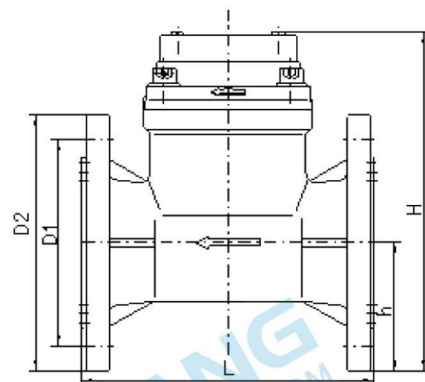
Main Technical Data:

Diameter	Permanent Q3 (m³/h)	Transitional Q2 (m³/h)	Minimum Q1 (m³/h)	Overload Q4 (m³/h)
DN50	25	0.25	0.15625	31.25
DN65	40	0.4	0.25	50
DN80	63	0.63	0.39375	78.75
DN100	100	1	0.625	125
DN125	160	1.6	1	200
DN150	250	2.5	1.5625	312.5
DN200	400	4	2.5	500
DN250	630	6.3	3.9375	787.5
DN300	1000	10	6.25	1250
DN350	1400	17.9	11.2	1750
DN400	1600	20.5	12.8	2000
DN450	2000	25.6	16	2500
DN500	2500	32	20	3125
Accuracy Class	Class 2			
Range Ratio	R160			
Pressure Loss	Δp40			
Maximum Working Pressure (MPa)	1.0			
Data Storage	Data storage for continual 48 months			
Power-off Protection	The data of accumulated flow and corresponding time will be saved once power failure takes place, and the meter works automatically as soon as the power restoration			
Remote Transmission	LoRaWAN, M-bus, RS485(Modbusprotocol), Pulse Output, Sigfox			
Power Supply	Lithium Battery Power Supply/M-BUS Remote Power Supply			
Protection Class	IP68			
Medium Temperature Range	0.1°C...30°C / 0.1°C...50°C / 0.1°C...90°C			
Ambient Temperature Range	-20°C...55°C			
Environment	E1, M1, B			
Flow Field Sensitivity	U10/D5			
Installation	Horizontal or Vertical			
Service Life	life Time≥10 years			

Model:LXC-50H-500H

Dimensions:

Nominal Diameter	L(mm)	H(mm)	W(mm)	Md	Bolt Hole Qty
DN50	200	220	170	M16	4
DN65	200	240	185	M16	4
DN80	225	255	250	M16	8
DN100	250	275	270	M16	8
DN125	250	305	300	M16	8
DN150	300	335	330	M20	8
DN200	350	395	380	M20	12
DN250	450	460	415	M24	12
DN300	500	510	470	M24	12
DN350	550	560	520	M24	16
DN400	600	590	580	M27	16
DN450	650	620	640	M27	20
DN500	650	650	705	M30	20



WORKING CONDITION:

Water temperature: $\leq 50^{\circ}\text{C}$ for cold water meter

Water pressure: ≤ 16 Bar



XINGHANG

Ningbo Xinghang Meter Technology Co.,Ltd

<https://www.xinghangmeter.com>

sales@xinghangmeter.com

+86-574-27805927