

Model: LXDG-13C-20C

Single Jet Water Meter

Feature:

- Single jet, Dry-dial
- Material body: Nylon plastic
- Size: DN15-DN20mm, (1/2"-3/4")
- Available for cold water (50°C)
- Accuracy: Class C / R160



Main Technical Data:

According to ISO4064 (GB/T778.1-1996) Standard

Size		Class	Qs	Qp	Qt	Qmin	Min reading	Max reading
DN(mm)	Inch		Overload flow	Nominal flow	Transitional flow	Min flow		
			m³/h		L/h		m³	
15	1/2"	C	3	1.5	22.5	15	0.0001	99999
20	3/4"	C	5	2.5	37.5	25	0.0001	99999

According to ISO4064 (GB/T778.1-2007) Standard

DN SIZE	Mm Inch	15 1/2"	20 3/4"
Q4(m³/h)		3.125	5
Q3(m³/h)		2.5	4
R160	Q2(L/h)	25	40
	Q1(L/h)	15.625	25
Min reading(m³)		0.0001	0.0001
Max reading(m³)		99999	99999
Max pressure(MAP)		16	16
Max loss(Δ P)		63	63
Max temperature		T50	T50

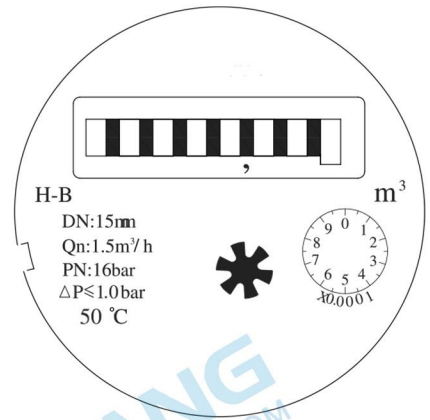
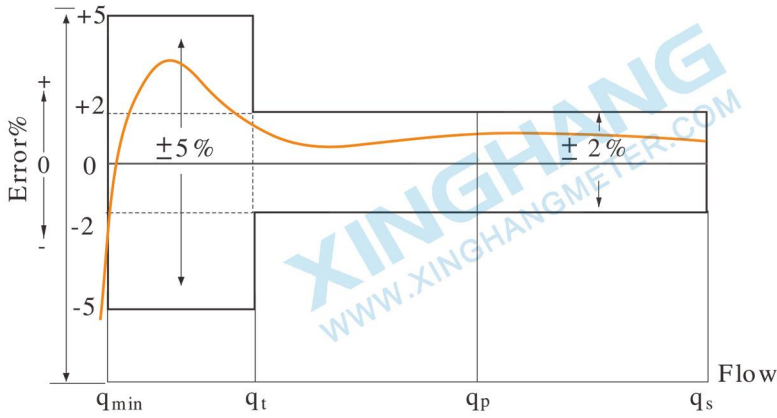
INDICATING ERROR

At low zone is $\pm 5\%$ from minimum flow rate (qmin) to transitional flow rate (qt) exclusive boundary

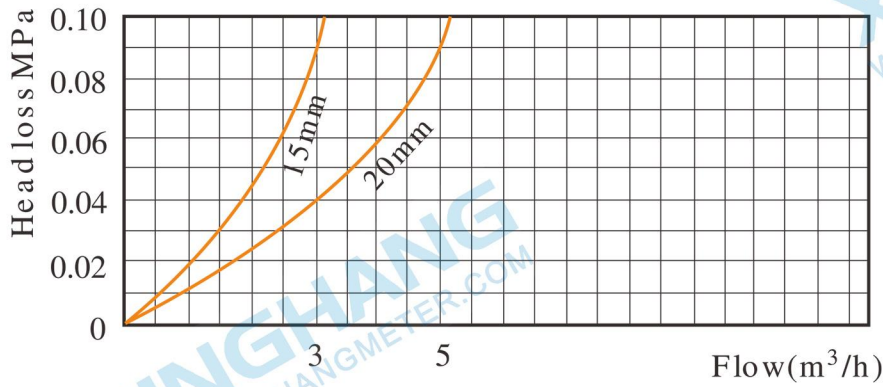
At high zone is $\pm 2\%$ from transitional flow rate (qt) to overload flow rate (qs)

Model: LXDG-13C-20C

Error Curve:

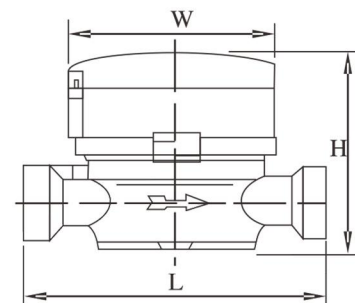


Head Loss Curve:



Dimensions and Weight:

Meter size Dia DN (mm)	L Length	W Width	H Height	Connecting Thread D	Weight Kg
15	110	77	80	G 3/4B	0.35
20	130	77	80	G 1"B	0.45



WORKING CONDITION:

Water temperature: ≤50°C for cold water meter

Working pressure: ≤1.6Mpa



XINGHANG

Ningbo Xinghang Meter Technology Co.,Ltd

<https://www.xinghangmeter.com>

sales@xinghangmeter.com

+86-574-27805927