

Model: LXC-50D-200D

Ultrasonic Water Meter

Feature:

- Cable interface options:
(1) M-BUS (2) RS-485 (Modbus) (3) Pulse output
(4) LoRaWAN
- Size: DN50 to DN200mm, (2" – 8")
- Accuracy: R200
- Frequency: LoRa/ LoRaWAN 865MHz, 902MHz, 868MHz, 915MHz, etc



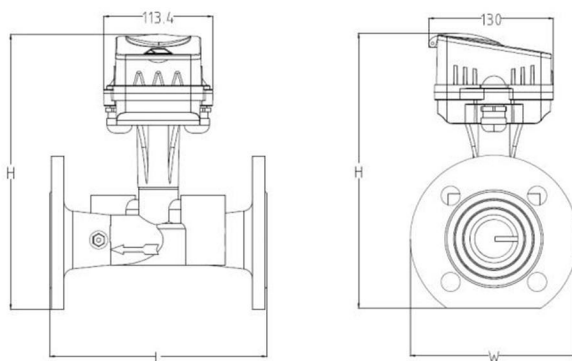
Main Technical Data:

Diameter	Permanent Q3 (m ³ /h)	Transitional Q2 (m ³ /h)	Minimum Q1 (m ³ /h)	Overload Q4 (m ³ /h)
DN50	25	0.2	0.125	31.25
DN65	40	0.32	0.2	50
DN80	63	0.504	0.315	78.75
DN100	100	0.8	0.5	125
DN125	160	1.280	0.8	200
DN150	250	2	1.250	312.5
DN200	400	3.2	2	500
Measurement Accuracy	Q2≤Q≤Q4 ±2%, Q1≤Q<Q2 ±5%			
Range Ratio	Q3/Q1=200, Q2/Q1=1.6, Q4/Q3=1.25			
Connection	flanged joint			
Pressure Loss	Δp40			
Pressure Level	MAP10 or MAP16			
Data Storage	Data storage for continual 18 months			
Power-off Protection	The data of accumulated flow and corresponding time will be saved once power failure takes place, and the meter works automatically as soon as the power restoration			
Remote Transmission	Standard Infrared, LoRaWAN, M-bus Remote Transmission, RS485(Modbusprotocol), Pulse Output			
Power Supply	Lithium Battery Power Supply/M-BUS Remote Power Supply			
Protection Class	IP68			
Work Environment	Temperature: -25°C~+55°C, Environment Relative Humidity: <90%			
Installation	Horizontal or Vertical			
Service Life	life Time≥6 years			

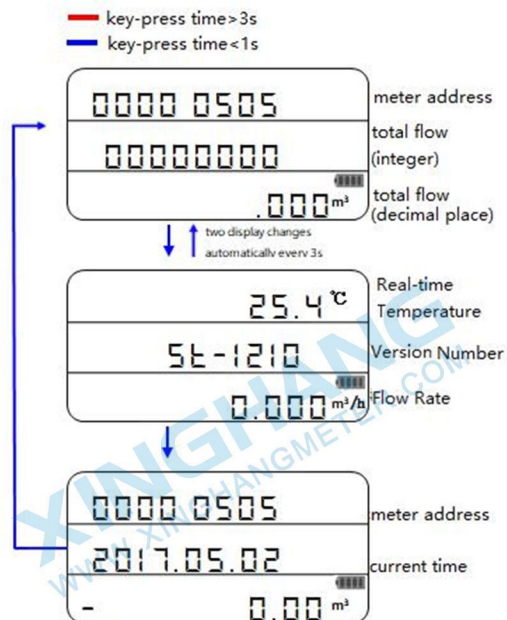
Model:LXC-50D-200D

Dimensions:

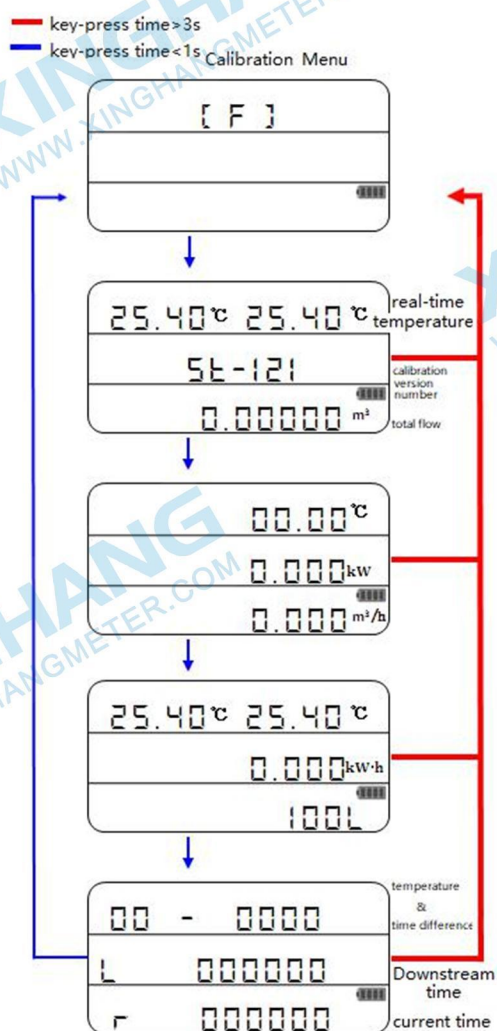
Nominal Diameter	L(mm)	H(mm)	W(mm)	Md	Bolt Hole Qty
DN50	200	220	170	M16	4
DN65	200	240	185	M16	4
DN80	225	255	250	M16	8
DN100	250	275	270	M16	8
DN125	250	305	300	M16	8
DN150	300	335	330	M20	8
DN200	350	395	380	M20	8



User Menu:



Verification Menu:



WORKING CONDITION:

Water temperature: ≤50°C for cold water meter

Water pressure: ≤16 Bar



XINGHANG

Ningbo Xinghang Meter Technology Co.,Ltd

<https://www.xinghangmeter.com>

sales@xinghangmeter.com

+86-574-27805927