

Model: LXSJ-15A-20A

Smart Water Meter

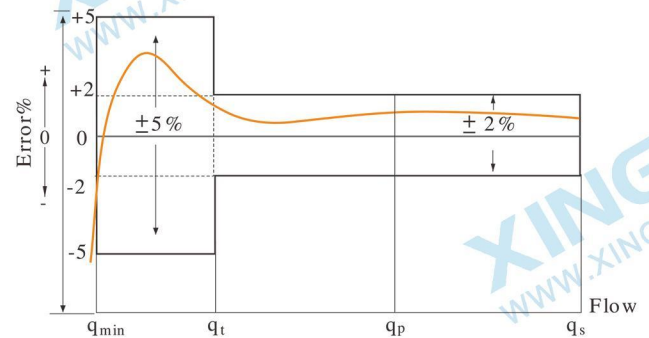
Feature:

- Multi jet, Dry-dial
- Material body: Brass
- Size: DN15 to DN20mm, (1/2" – 3/4")
- Available for cold water (50°C)
- Accuracy: R160

Main Technical Data:

According to ISO4064 (GB/T778.1-2007) Standard

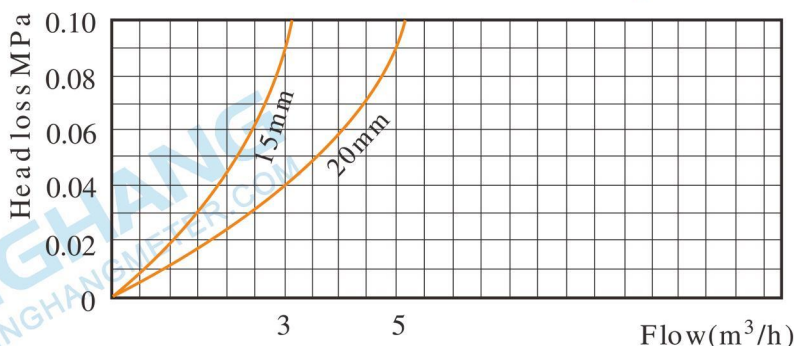
DN SIZE	Mm Inch	15 1/2"	20 3/4"
	Q4(m ³ /h)	3.125	5
	Q3(m ³ /h)	2.5	4
R80	Q2(L/h)	50	80
	Q1(L/h)	31.25	50
R100	Q2(L/h)	40	64
	Q1(L/h)	25	40
R125	Q2(L/h)	32	51.2
	Q1(L/h)	20	32
R160	Q2(L/h)	25	40
	Q1(L/h)	15.625	25
Min reading(m ³)		0.0001	0.0001
Max reading(m ³)		99999	99999
Max pressure(MAP)		16	16
Max loss(Δ P)		63	63
Max temperature		T50	T50



INDICATING ERROR

At low zone is $\pm 5\%$ from minimum flow rate (q_{min}) to transitional flow rate (q_t) exclusive boundary;
At high zone is $\pm 2\%$ from transitional flow rate (q_t) to overload flow rate (q_s).

Head Loss Curve:



Model: LXSY-15A-20A

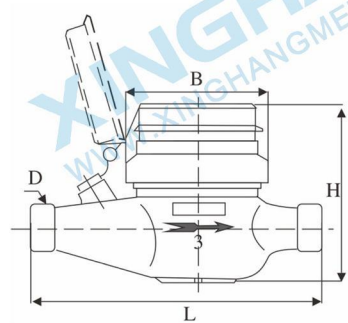
Wireless Technical Indicators:

Power supply	lithium battery
Power supply	2.1V-3.6V
Working frequency	865-868MHz/915-930MHz
Transmit power	50mW
Battery Life	More than 8 years (Once reading data per day)
Receiver sensitivity	-132dBm
Dormancy current	2.5uA
Average current	18uA
Transmission distance	3000m transmission distance(5Kbps)



Dimensions and Weight:

D	G ³ /B	G1B
L(mm)	165	190
B(mm)	81	81
H(mm)	160	160
Weight(kg)	0.92	1.2



WORKING CONDITION:

Water temperature: $\leq 50^{\circ}\text{C}$ for cold water meter

Working pressure: $\leq 1.6\text{Mpa}$



XINGHANG

Ningbo Xinghang Meter Technology Co.,Ltd

<https://www.xinghangmeter.com>

sales@xinghangmeter.com

+86-574-27805927