

Model: LXDGY-13-20

Pulse Output Water Meter

Feature:

- Single jet, Dry-dial
- Material body: Brass
- Size: DN15 to DN20mm, (1/2" – 3/4")
- Available for cold water (50°C), hot water (90°C)
- Accuracy: Class B / Class C / R160
- Pulse output reading: 10 L/Pulse



Main Technical Data:

According to ISO4064 (GB/T778.1-1996) Standard

Size		Class	Qs	Qp	Qt	Qmin	Min reading	Max reading
DN(mm)	Inch		Overload flow	Nominal flow	Transitional flow	Min flow		
		m³/h			L/h		m³	
15	1/2"	A	3	1.5	150	60	0.0001	99999
		B			120	30		
		C			22.5	15		
20	3/4"	A	5	2.5	250	100	0.0001	99999
		B			200	50		
		C			37.5	25		

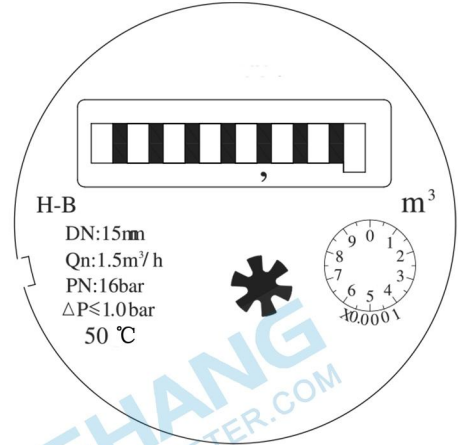
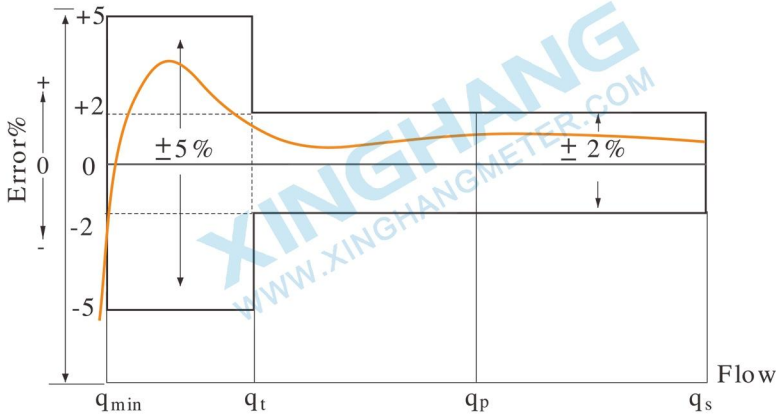
According to ISO4064 (GB/T778.1-2007) Standard

DN SIZE	Mm Inch	15 1/2"	20 3/4"
Q4(m³/h)		3.125	5
Q3(m³/h)		2.5	4
R80	Q2(L/h)	50	80
	Q1(L/h)	31.25	50
R100	Q2(L/h)	40	64
	Q1(L/h)	25	40
R125	Q2(L/h)	32	51.2
	Q1(L/h)	20	32
R160	Q2(L/h)	25	40
	Q1(L/h)	15.625	25
Min reading(m³)		0.0001	0.0001
Max reading(m³)		99999	99999
Max pressure(MAP)		16	16
Max loss(Δ P)		63	63
Max temperature		T50	T50

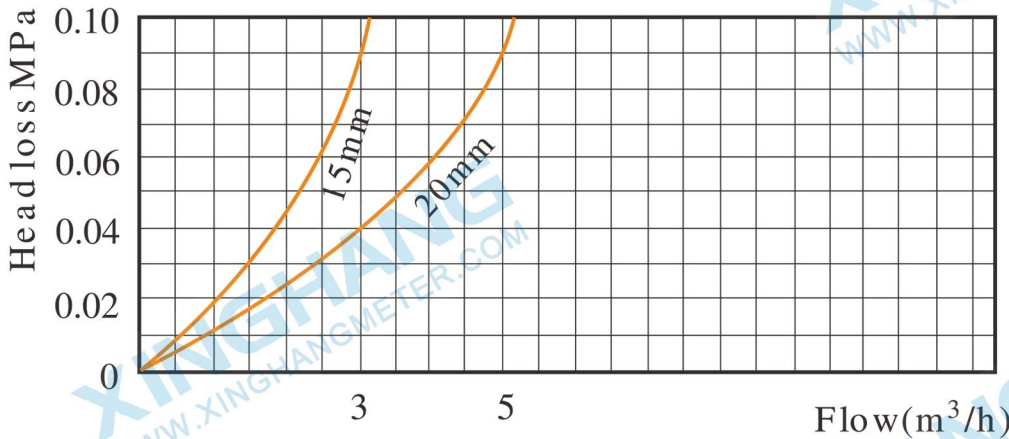
Model: LXDGY-13-20

INDICATING ERROR

At low zone is $\pm 5\%$ from minimum flow rate (q_{min}) to transitional flow rate (q_t) exclusive boundary
 At high zone is $\pm 2\%$ from transitional flow rate (q_t) to overload flow rate (q_s)

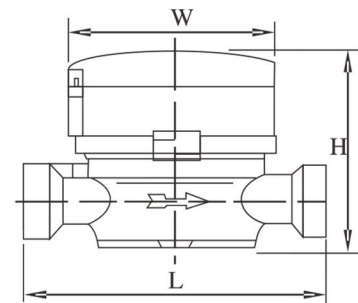


Head Loss Curve:



Dimensions and Weight:

Meter size Dia DN (mm)	L Length	W Width	H Height	Connecting Thread D	Weight Kg
	mm				
15	110	80	80	G 3/4B	0.6
20	130	80	80	G 1"B	0.9



WORKING CONDITION:

Water temperature: $\leq 50^\circ\text{C}$ for cold water meter
 Water temperature: $\leq 90^\circ\text{C}$ for hot water meter
 Working pressure: $\leq 1.6\text{Mpa}$



XINGHANG

Ningbo Xinghang Meter Technology Co.,Ltd
<https://www.xinghangmeter.com>
sales@xinghangmeter.com
 +86-574-27805927